

IB15A

МУЗЦЕНТР
МУЗЫКАЛЬНОЕ ОБОРУДОВАНИЕ
<https://muzcentre.ru>

Presentation:

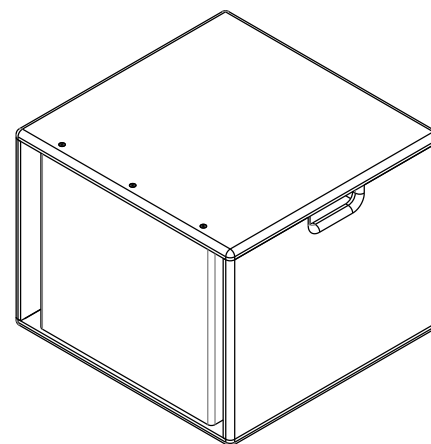
The INSTALL SUB subwoofer series were designed to be an universally useable solution for installations seeking for a discrete but compact and effective subwoofer. Its bass reflex design is engineered to be as compact as possible while giving the maximum performance in terms of sound quality and bass response to any a PA installation.

The series comprises 4 models, IB 8 with a 8" (1.5in VC), IB12 with a 12" (2.95in VC), IB15 with a 15" (4in VC) and IB212 with 2x 12" (2.5in VC) all equipped with rubber surround EU transducers to provide excellent power density in compact enclosures.

This IB15A active version is driven by single channel premium quality EU class D amplifier featuring all electronic circuitry protection, with parallel XLR/M and XLR/F connectors for simple loop-through connectivity and a rotary potentiometer that allows to adjust the X-over frequency easily.

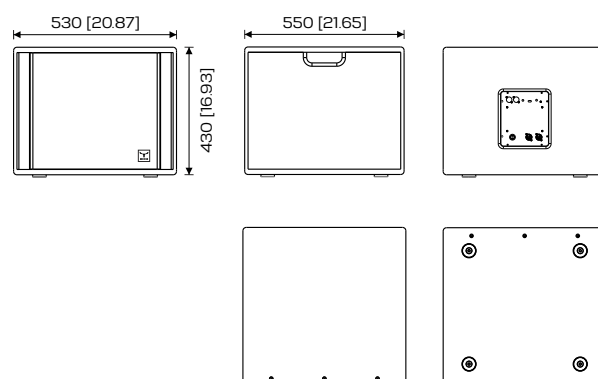
This INSTALL SUB series is the perfect partner to work with MOOSE INSTALL and LINEA series series acting as a supplement in PA installations to complete the existing sound with a deep and extended low frequency response, the ideal solution to any installed sound applications where space is limited allows close placement to any wall or corner.

The perfect solution for bars and restaurants, hotels, retail, etc.



Features:

- Bass reflex installation subwoofer
- Available in passive/active versions
- 1x 15" (4in VC) LF EU transducer
- 710W rms class D, single channel amplifier
- 85-264Vac universal mains, SMPS, all electronic protections
- Variable X-over frequency adjustable by rotary pot
- Versatile, compact to permit unobtrusive placement
- Supplied with wallmount brackets
- Rugged and durable 15mm birch plywood construction
- Powder coated custom perforated steel grille



Technical specifications:

Acoustical

| | |
|----------------------------|--------------------------------------|
| Type | Compact active subwoofer |
| Enclosure design | Bass reflex |
| Power rating (RMS/Program) | 1000W / 1400W |
| Frequency range | 38 - 160Hz (-10dB) |
| Nominal impedance | 8 ohm |
| Transducer type | 1x 15" LF (4in VC) EU transducer |
| Crossover frequency | Adjustable by rotative potentiometer |
| SPL (1W/1kHz) | 136dB @ 1m (peak) |

Mechanical

| | |
|------------|--|
| Enclosure | 15mm birch plywood, rugged polyurea coating |
| Grille | Custom perforated metal grilles w/ acoustic foam |
| Color | Black or white textured |
| Hardware | 4 rubber feet Wallmount brackets (optional) |
| Dimensions | 530x550x430mm 20.87x21.65x16.93in |
| Weight | 31Kg 68.34lb |

Amplifier Module

| | |
|---------------------|---|
| Type | Single channel Class D |
| Output Power | 710W / 8ohm |
| Internal Processing | Adjustable by rotative potentiometer |
| Audio input/output | XLR/F 3p XLR/M 3p |
| Indicators | Power, signal/preset, status, clip |
| Controls | Master level control, 4 selectable presets |
| AC Mains | SMPS with PFC, 85-264Vac universal mains |
| AC Mains connector | Neutrik® powerCON, Power-in/Power-out |
| Protections | Over current, short circuit, thermal, DC and HF |

